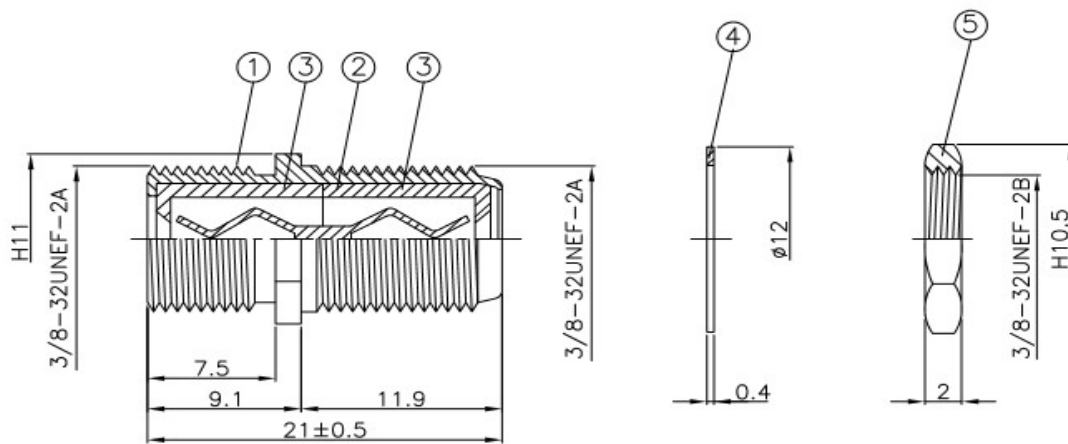


F-103

F Doppelkupplung



NO	DESCRIPTION	MATERIAL	Q' TY	FINISH
1	BODY	BRASS	1	NICKEL
2	PIN	BRASS	1	TIN
3	INSULATION	DELRIN	2	DELRIN
4	WASHER	BRASS	1	NICKEL
5	NUT	BRASS	1	NICKEL